

Raising the Standard on Dependable Deep-Cycle Power



Key Features and Benefits of the Deka Scrubber/Sweeper Line

- There's a complete line of 6- and 12-volt sizes available, including replacement sizes for Advance, Clarke, Tennant and many others.
- Positive plates are glass wrapped, similar to motive power industrial batteries. The glass fibers imbed themselves into the surface of the plate to add reinforcement...like "re-bars" in concrete. This reduces plate shedding and extends life.
- An optimized balance of the crucial active material on the plates means that the battery works harder and lives longer.
- Precision-filled, Ultra-Pure electrolyte extends life.
- Deka Dominator Gel batteries are also available for extreme deep cycle service and longer life in a completely spillproof and maintenance-free design.
- Full-frame positive and negative plates provides added performance and extends life.
- Precise manufacturing process controls deliver higher quality, performance, and life.
- More than 250 quality control checks ensure the highest quality.

Deka® Scrubber/Sweeper Batteries

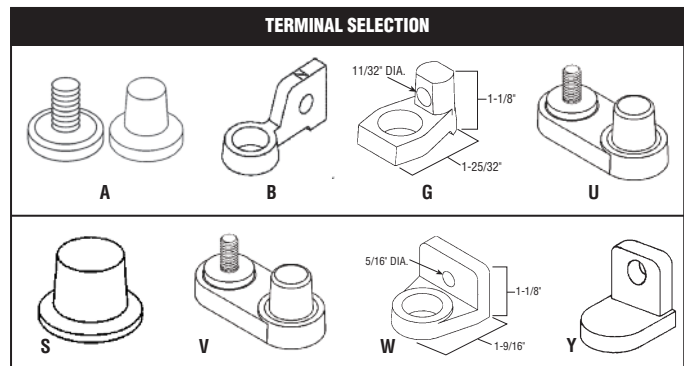
PART NO.	FOOTNOTES	VOLTS	PERFORMANCE LEVEL				WEIGHT (LB.)	MAXIMUM OVERALL DIMENSIONS					
			20 AMP HR. RATE	5 AMP HR. RATE	MINS. DISC @			LENGTH		WIDTH		HEIGHT	
					75 AMP	25 AMP	INCHES	MM.	INCHES	MM.	INCHES	MM.	
6 -VOLT & 12 -VOLT FLOOR SCRUBBER AND SWEEPER													
8C11	4,11,17,19,25,34,V	6	235	183	120	480	66.5	11 ¼	(298)	7	(178)	11 ½	(292)
9C11	4,11,17,19,25,34,V	6	250	203	130	534	73	11 ¼	(298)	7	(178)	11 ½	(292)
8C6V	4,11,17,19,25,34,V	6	330	260	170	720	97.5	11 ¼	(298)	7	(178)	14 ¾	(365)
8L16	4,11,17,19,25,34,W	6	370	285	190	828	113	11 ¼	(298)	7	(178)	16 ½	(419)
GC10	11,36,U	6	215	157	105	395	60.5	10 ¼	(260)	7 ½	(181)	10 ¾	(276)
GC15	4,11,36,U	6	230	174	120	448	64	10 ¼	(260)	7 ½	(181)	10 ¾	(276)
GC25	4,11,36,U	6	235	188	132	488	68	10 ¼	(260)	7 ½	(181)	10 ¾	(276)
GC45	4,11,36,U	6	255	203	145	530	77	10 ¼	(260)	7 ½	(181)	11 ¾	(302)
8C12	11,17,25,34,V	12	195	155	90	390	116	15 ½	(394)	7	(178)	14 ¾	(362)
9C12	11,17,25,34,V	12	228	175	115	456	127	15 ½	(394)	7	(178)	14 ¾	(362)
DC24	11,17,U	12	75	64	30	130	45.5	10 ¾	(273)	6 ¾	(171)	9 ¾	(238)
DC27	11,17,U	12	90	81	39	175	53.5	12 ½	(318)	6 ¾	(171)	9 ¾	(238)
DC31DT	11,17,21,22,A	12	105	86	45	185	59.5	13	(330)	6 ¾	(171)	9 ½	(241)
GEL 6 -VOLT & 12 -VOLT FLOOR SCRUBBER AND SWEEPER †													
8GGC2	4,38,39,U	6	180	147	92	375	68	10 ¼	(260)	7 ½	(181)	10 ¾	(276)
8GU1	4,38,39,Y	12	31.6	26.8	5	47	23	7 ¾	(197)	5 ½	(130)	7 ¾	(184)
8GU1H	4,17,38,39,Y	12	31.6	26.8	5	47	23	8 ⅞	(211)	5 ½	(130)	7 ¾	(184)
8G24	4,17,38,39,G	12	73.6	63	33	140	52	10 ¾	(276)	6 ¾	(171)	9 ¾	(251)
8G5SHP	4,17,S	12	115	96.8	53	218	85	13 ¾	(345)	6 ¾	(172)	11 ⅞	(290)
8G5SHP876	4,17,B	12	115	96.8	53	218	85	13 ¾	(345)	6 ¾	(172)	11 ⅞	(290)

All batteries manufactured with polypropylene cases and covers except where noted. All batteries manufactured in black cases and black covers except where noted.

FOOTNOTES:

- 4 - Gray cover and Gray case
- 11 - Low maintenance - Low antimony grids
- 17 - Includes handle
- 19 - Includes lifting ledges
- 21 - Anchor lock elements
- 22 - Flush manifold vented cover
- 25 - With individual vent caps
- 34 - Ratings after 15 cycles
- 36 - Peak performance capacity
- 38 - "Non-spillable" defined by DOT (Department of Transportation) definitions
- 39 - "Non-spillable" defined by ICAO (International Commercial Airline Organization) and IATA (International Airline Transport Association) definitions
- A - Flush combination terminal w/ 5/16" stud and SAE Post, hex nuts included (STUD&POST)
- B - Flag terminal w/ 3/8" diameter hole (T876)
- G - Offset post w/ horizontal hole, stainless steel 5/16" bolt and hex nut
- S - SAE "automotive type" post (TSAE)
- U - Molded-in offset SAE post & vertical 5/16" NEG., 3/8" POS. stainless steel studs and hex nuts
- V - Molded-in offset SAE post and vertical 5/16" NEG., 5/16" POS. stainless steel studs
- W - "L" type terminal w/ 5/16" diameter hole
- Y - Small L terminal with round hole

† **IMPORTANT GEL CHARGING INSTRUCTIONS: WARRANTY VOID IF OPENED OR IMPROPERLY CHARGED.** Do not install in a sealed container. Constant under or overcharging will damage any battery and shorten its life! Use a good constant potential, voltage-regulated charger. For 12 volt batteries, charge to at least 13.8 volts but no more than 14.6 volts at 77°F (25°C). For 6-volt batteries, charge to at least 6.9 volts but no more than 7.3 volts at 77°F (25°C). The open circuit voltage of a fully charged 6-volt battery is 6.4V at 68°F (20°C). However, as the battery charges, the building internal pressure (voltage) causes resistance to the charge. Therefore, the on-charge voltage must be higher (at least 6.9V) to overcome this internal pressure (voltage) during charging.



East Penn Manufacturing Co. Lyon Station, PA 19536-0147 Phone: 610-682-6361 Fax: 610-682-4781 www.dekabatteries.com

